

KGS Concept

KGSRD-135











Reference: **KGSRD135**
 Description: **DRAWING TABLE FOR ARCHITECTS**
 Family product: **TECHNICLINE**

Materials

Metal base made of 35x35mm thick steel sheet.
 Metal telescopic made of 30x30mm steel tube.
 Rotation system made in steel sheet.
 Table tops of different measures 19mm thick.
 Metal tray made in 1mm thick sheet

Product features

Height adjustable drawing table.
 Rotating system to fix the table top to the desired position.
 Table top not included. Recommended table tops:

RD-803	80x120cm
RD-804	90x130cm
RD-805	100x150cm
RD-806	100x170cm

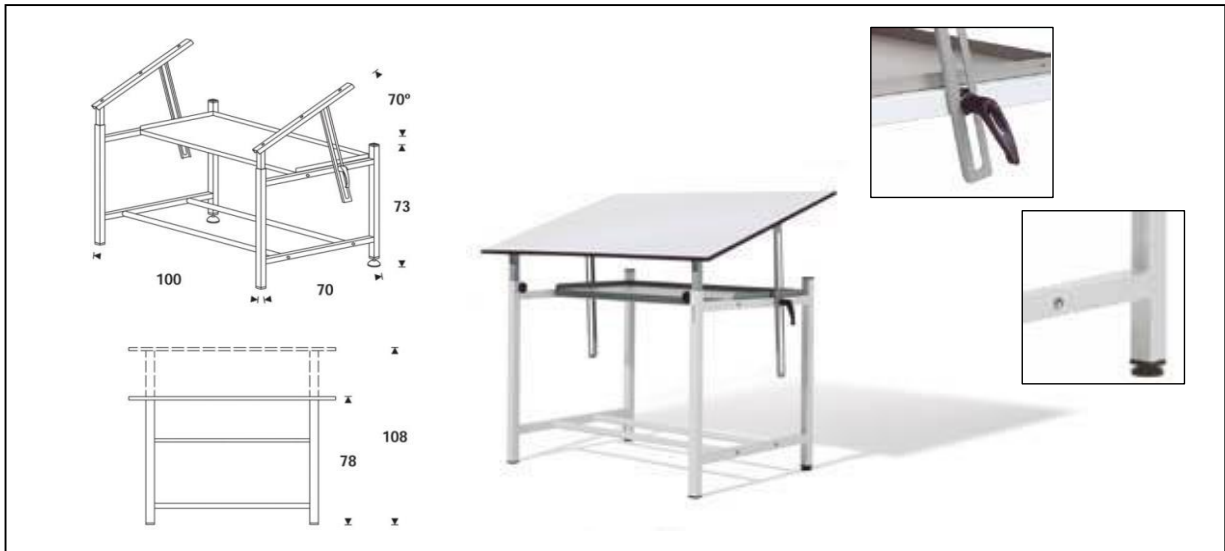
Epoxy finishes

Metal base in white RAL 9010.
 Metal telescopic in gray RAL 7083

Ref	EAN Code
KGSRD135	8427951000255

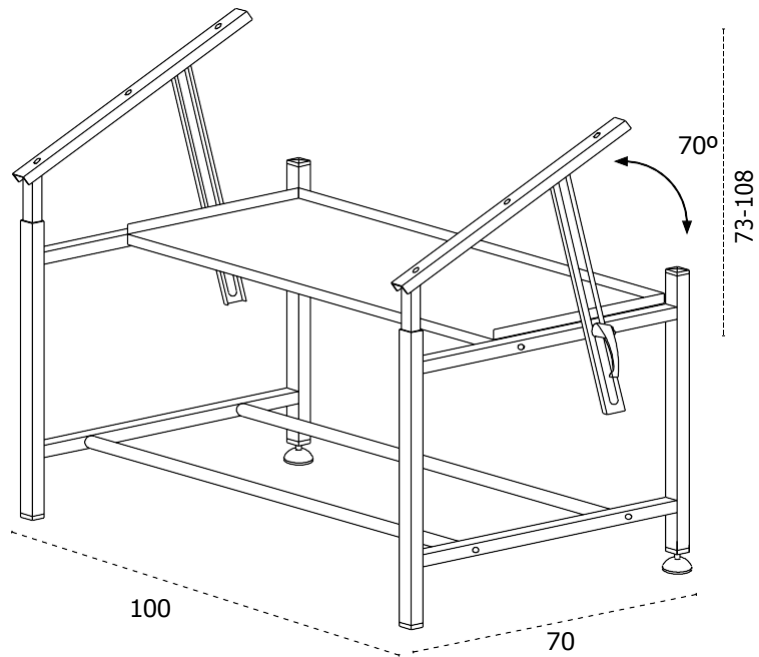
Ref	Description	Packaging (mm)			m ³	kg
		960	150	760		
KGSRD135	Drawing table for architects	960	150	760	0,109	21,6

TECHNICAL DATA SHEET



KGSRD-135

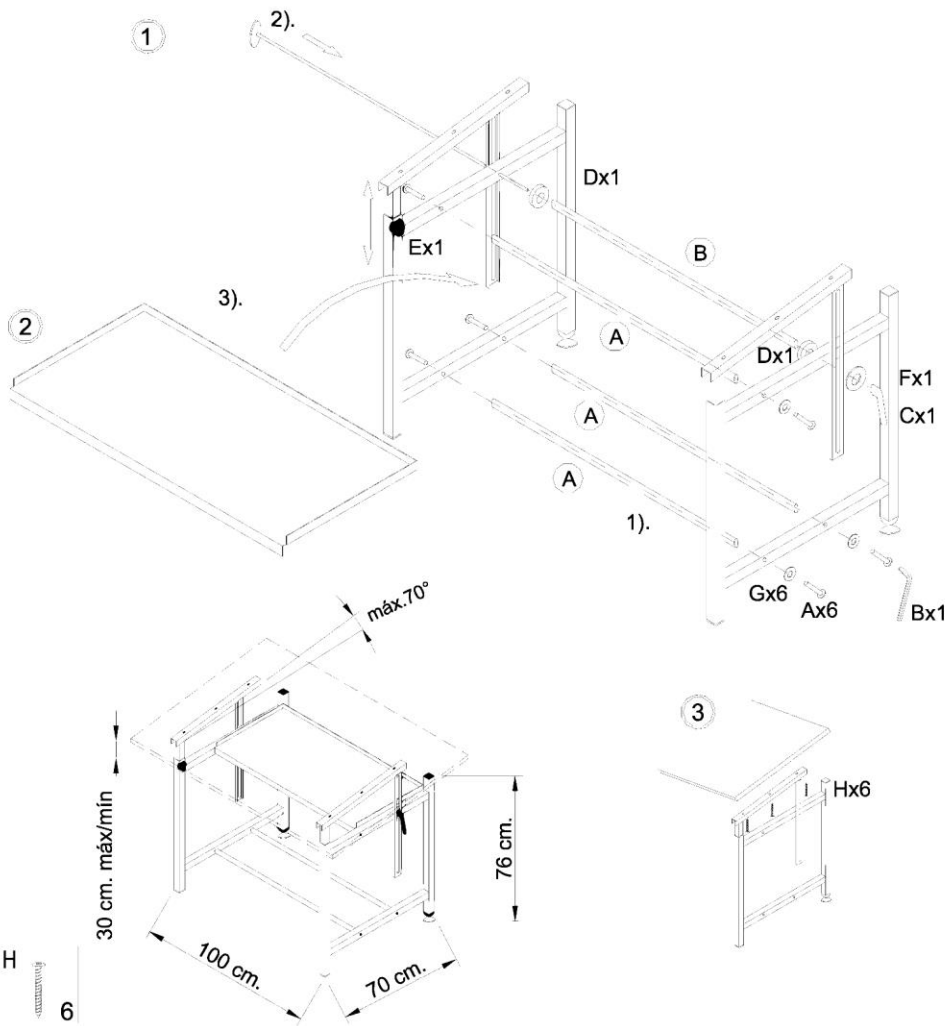
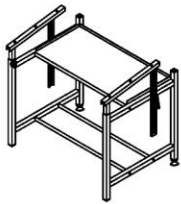
Dimensions (cm)



Ref.	cm (producto)
135	100 x 73-108 x 70

INSTRUCTION LEAFLET: KGSRD-135

8min x1



- 26-11-2012 A 6 B 1 C 1 D 2 E 2 F 1 G 6 H 6