

Table formed by lateral portico structure and crossbeams

Bracing by square section metal tube and cover

in wood with different finishes.

Its design flushes the support goal with the envelope on the sides finished, allowing them to be grouped dynamically according to the project prescription or the varied use that you want to suggest by part of the users.

Due to its high level of strength and durability, along with the beauty and cleanliness of execution of the piece, the Tolstoi table is perfectly suited to the purpose and use of the building, in which they are high resistance and durability elements are necessary.

The design originates from the concept of separating the supports, grouping them laterally in the form of a goal, of the envelope, providing to this autonomy and giving the table as a whole a Solid but light appearance, achieved by means of spacers between the goal and the board, which suggest a feeling of floating this.

The Tolstoi table is the result of the design and work of our team, Strengthening its versatility through the ability to adapt to modifications that can be inserted in the execution process to adapt it to the buyer's wishes, without affecting said changes in their quality and durability.



## Structure.

4 legs formed by square tube side goals 40x40, with M10 screw cap at the ends for levelers. 40x40 tube crossbars fixed to the goal by means of oxyacetylene welding, and sent 10cm to the interior from the lid.

The entire structure has spacers that separate the cover by 15mm, to house the fixing screws for the cover.

Finished in 90-120 micron epoxy powder paint polymerized at 200°C after degreasing and phosphating. Levelers on legs, low density polypropylene XR32 from Siim, screwed onto M10 nut.

**Levelers** on legs, low density polypropylene XR32 from Siim, screwed onto M10 nut, and can be white.

## Mounting.

Assembly and joints are carried out using sleeves nylon that fits into the cover, to be attached using screws M6 to facilitate future disassembly and assembly successive if necessary.

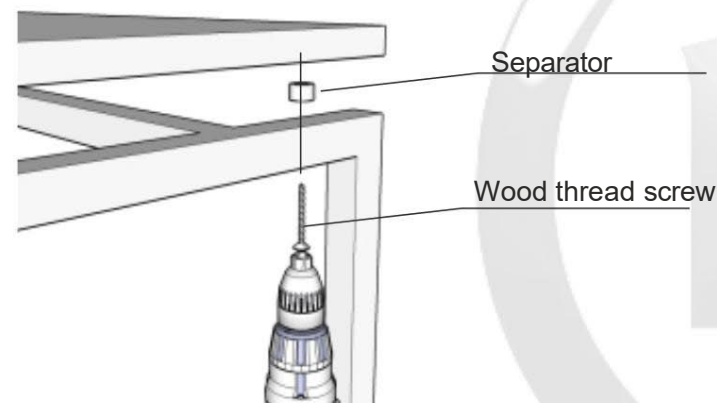
## Tapas.

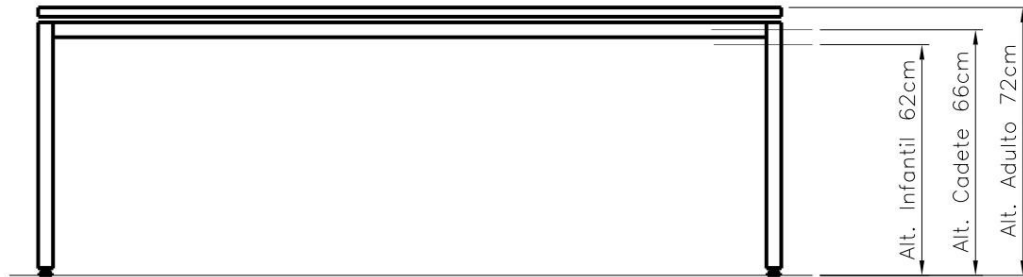
**Laminated top with solid edge:** Particle board with 25 mm thick high pressure laminate coating. 3 mm thick solid edge.

The quality of the board according to UNE-en 312 standard. The density measured for 25 mm thick boards is 610 Kg/m<sup>3</sup>.

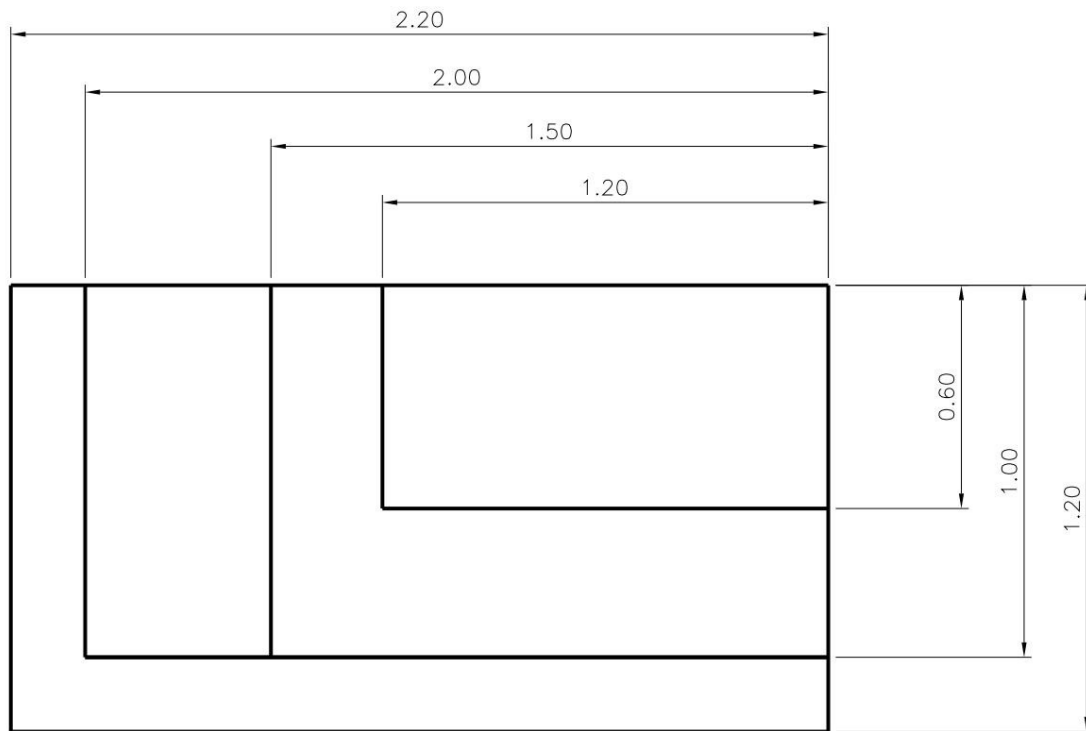
**Laminated PVC edge cover:** Particle board with 25mm high pressure laminate coating thickness. 2mm PVC edge.

**Melamine top with PVC edge:** Particle board with 25mm thick melamine coating, edge in 2mm thick PVC.





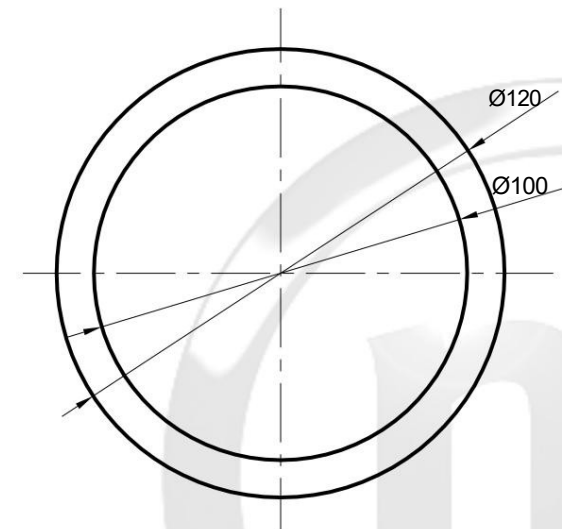
Rectangular lids



Guiding measures.

The measurements of the tables can be adapted to each project and needs.

Round lids







The finishing process of the metal parts is by epoxy-polyester paint polymerized in a tunnel at 200°C. Previous degreasing and anticorrosive phosphating treatment. finishes can be smooth (matte or gloss) or textured.

According to tests, it complies with the following quality standards for adhesion, scratching, soft hardness and stain resistance: ONE EN ISO 2409:07, ONE 48569:95, ONE EN ISO 1522:07, A EN ISO 2808:07, A 482017:80 and A 89401:2008 respectively.



textured black  
RAL 9005



Dark blue plain  
RAL 5010



Textured Garnet  
RAL 3003



Plain green  
RAL 6032



Dark grey plain  
RAL 7031



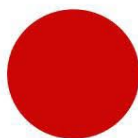
Textured blue-gray  
RAL 5014



smooth purple  
RAL 4008



Textured silver grey  
RAL 9006



Plain red  
RAL 3020



Light grey textured  
RAL 7035



Plain yellow  
RAL 1007



Beige texturado  
RAL 1013



Textured white  
RAL 9016



Plain white  
RAL 9003

\* OTHER RAL CHART COLORS CONSULT



The colors shown below are for  
Finished sides. 2mm PVC edge terminals.  
thickness.

Please confirm delivery time in advance.



Spectrum Green  
F7897



Monaco  
K1871



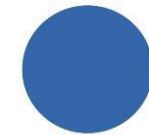
China Blue  
F7884



Vibrant Green  
F6901



Delphinium  
F2479



Tropical Blue  
F2828



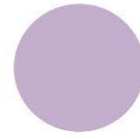
Black cherry  
F6907



Beaujolais  
K2046



Spectrum Red  
F7845



Heather  
F0233



Juicy Pink  
F0232



Clementine  
F2962



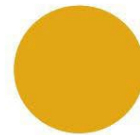
Folkestone  
F7927



Fiesta  
K2013



Cygnet  
F3050



Sun  
F4155

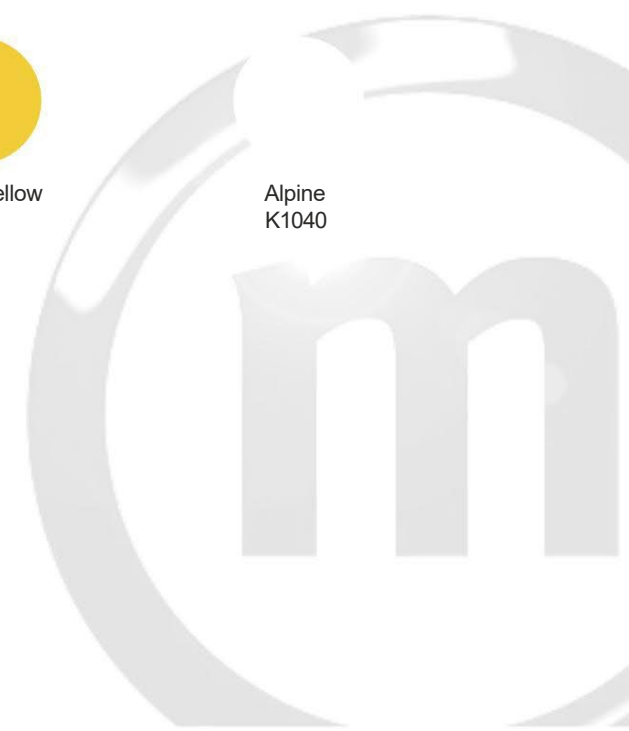


Spectrum Yellow  
F7940



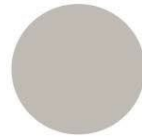
Natural Beech  
(Haya) F2726

\* OTHER COLORS CONSULT



The colors shown below are for  
Side finishes. 2mm thick PVC edges.

Please confirm delivery time in advance.



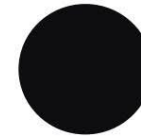
Pearl Grey



White



Beech Colombia



Negro Soft III

\* OTHER COLORS CONSULT



Cleaning and maintenance instructions:

For routine cleaning, we recommend using a soft cloth and clean cotton or microfibre, moistened with warm water to which you can add a little neutral soap, in this case immediately rinse with a cloth dampened only with water,

then dry with a lint-free cloth.

Clean without scrubbing, using circular movements and without pressure.

Always avoid: Coarse or dirty cloths and cleaning products.

abrasive cleaning that can permanently scratch the superficiesl.

For cleaning varnished natural veneer furniture, apply the same recommendations above.

Try not to use commercial cleaning products. Clean Always in the direction of the grain and without rubbing, in this way will protect all the beauty of natural wood with its particular textures and veins.

Always avoid: Natural veneer surfaces, products abrasives, products containing silicone, solvents, nail polish remover and other aggressive products.

The design of the Tolstoi table responds to the qualities required by the corresponding UNE Regulations (UNE-EN 527-1, 2, 3 Work tables)

PRODUCT REGULATIONS:

UNE-EN 527-1:2011

UNE-EN 527-2:2003

UNE EN 527-3:2003

UNE EN 15372:2008

ONE IN 1730:200

ECODESIGN ISO 14006

They have a lower free height greater than 66cm, and allow wheelchair users to approach the table.

Our company has the following:

AENOR certifications of the ISO-9001 and ISO standards 14001.

Our environmental policy is based on applying processes of Latest generation for greater efficiency energy and maximum use of raw materials avoiding the generation of waste as much as possible.

